

CAS-WH-4769

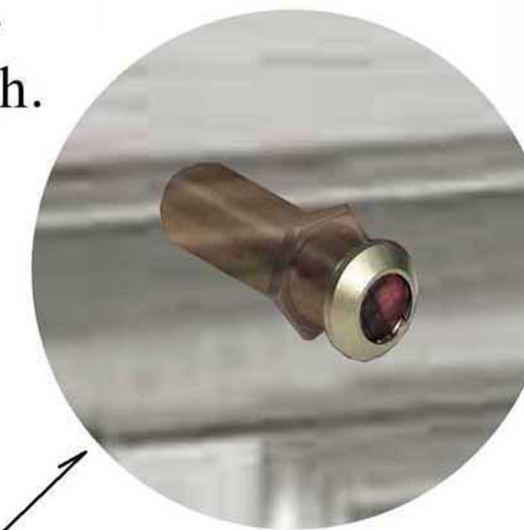
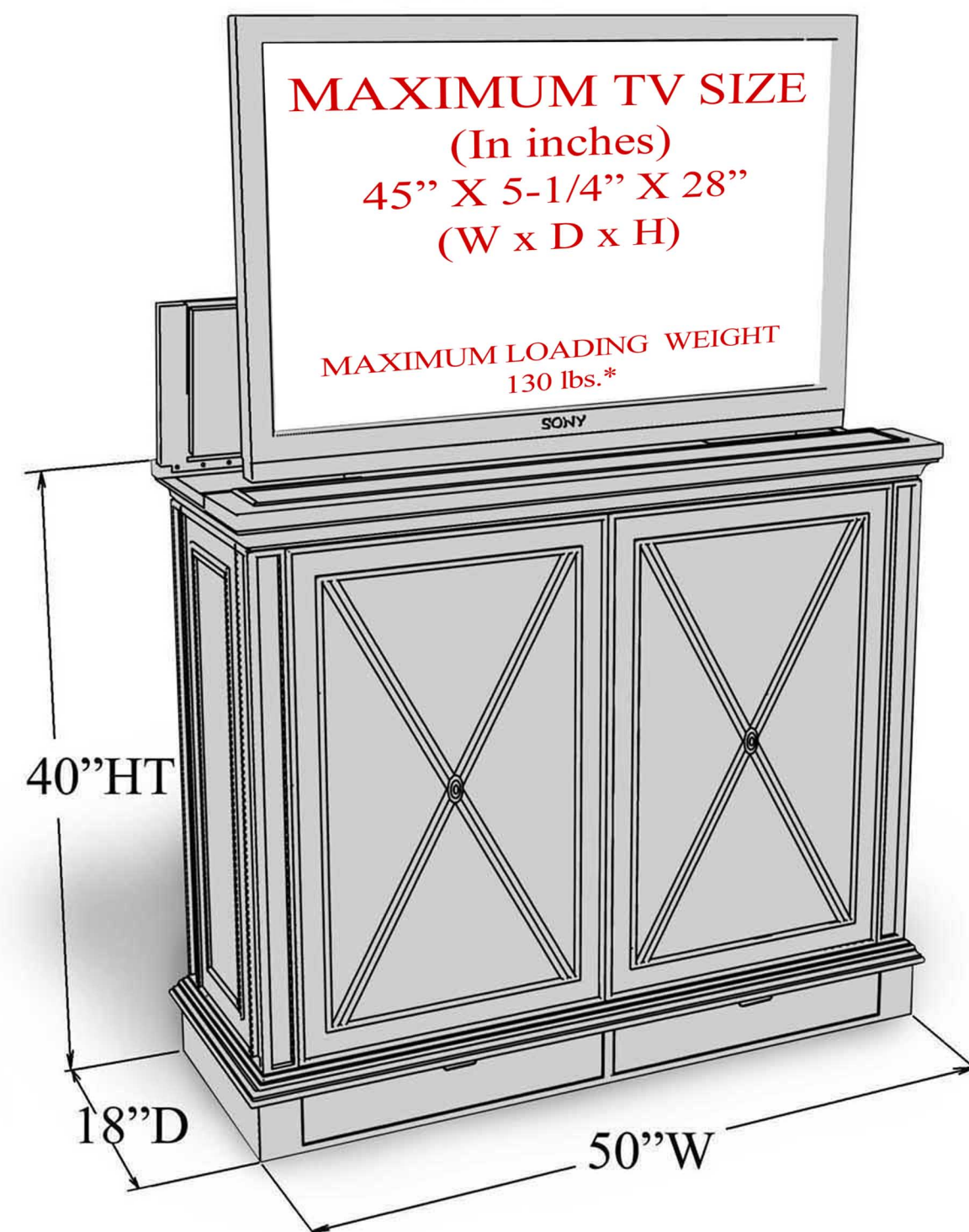
FLAT SCREEN LIFT CABINET

LIFT FEATURES:

- *Fully assembled.
- *1 year in home parts and labor warranty.
- *Radio Frequency Remote.
- *Universal TV mounting bracket included.
- *Auto reversing safety mechanism.
- *Heavy duty rack and pinion drive system.
- *Smooth and stable travel.
- *Nearly silent operation.
- *Welded steel construction.
- *Thermal overload protection.
- *Built in wire management.
- *Patent Pending.

CABINET FEATURES:

- *Fully assembled.
- *Built-in Infrared System.
- *Hand selected Birch solids and Birch veneers.
- *Flip down bottom drawer faces to store electronic device.
- *Reversible cabinet over bottom drawers.
- *Multi step stain and scratch resistant finish.
- *Fully ventilated to allow for generous air circulation.



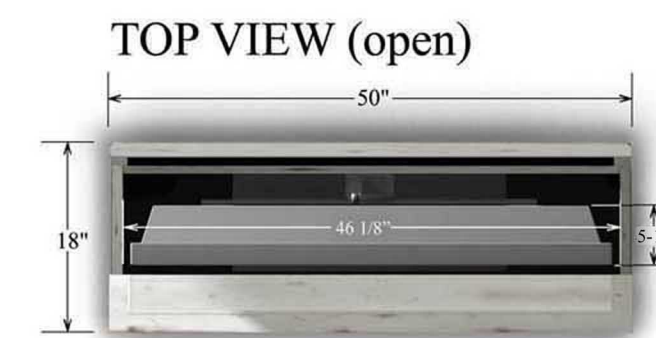
Infrared relay system provides a window from your handheld remotes to your TV and audio components even though they are concealed inside the cabinet. No programming required!



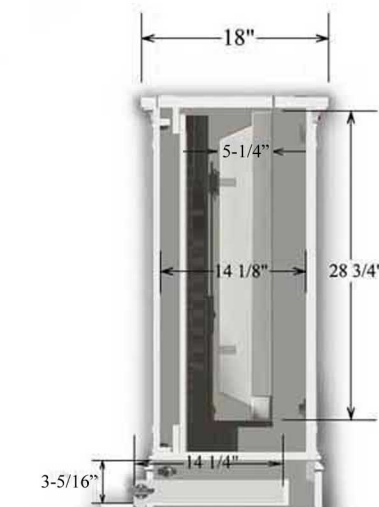
PERSPECTIVE



drawers reversed to stand console against wall



TOP VIEW (open)



SIDE (SECTION)



TOP VIEW(closed)



FRONT VIEW (open)



REAR VIEW)



SIDE VIEW